

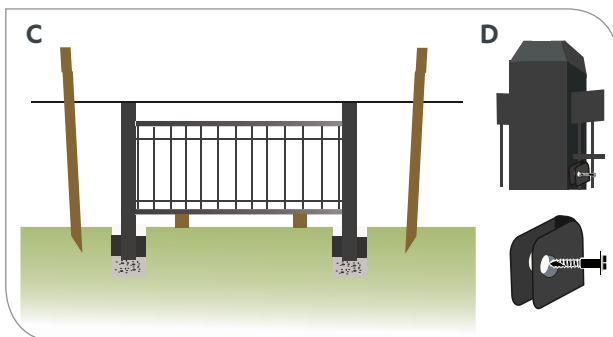
and support the gate at this height by using wooden blocks or similar. The location of the hinges and latch are pre-set by the fittings on the posts. Attach the hinges first using self tapping hex screws. This operation is made a lot easier by enlisting the aid of an assistant to hold the gate in the closed position or by clamping the gate shut on the latch side. With the hinges attached, offer the striker plate up to the latch. This will lock closed and determine the position of the striker plate on the gate. Ensure the striker plate is in the centre of it's adjustment before fastening.

STEP 10

With the components fastened, make final adjustments to the gate so that it closes from just open, without binding or stalling.

STEP 11

To fit your panels to installed posts (fig C), measure down from the string line or post top to establish the level of the top of the panel and support it at this height by using wooden blocks or similar. Using the clips supplied clips, with the larger hole towards the post, capture the end vertical wire of the panel (fig D), just below the top horizontal and fasten to the post with a self tapping hex screw (a 3mm pilot hole may be helpful to start hex screws). Repeat at the bottom horizontal wire and continue at each post.



CUTTING PANELS

Panels may be cut to size flush with the vertical wire, using bolt cutters or hacksaw. Shorter panels should be measured increments of 75mm to determine position of last post.

Disclaimer:

Check with your local authority before installing a panel fence system. This is a guide only. Refer to a qualified builder or fencing contractor for full installation requirements.



The Hurricane range includes:

- > Gates
- > Gate Fittings
- > Fencing Wire
- > Fence Posts
- > Deer Fence
- > Home Fence
- > School Fence
- > Security Panel Fence
- > Chain Link
- > Staples & Barbed Wire

To find out more about our extensive Steel & Tube range of products and services:

- > Steel
- > Pipe, Fittings & Valves
- > Stainless Steel
- > Fastenings
- > Chain & Rigging
- > Rural Products
- > Industrial Products
- > Reinforcing
- > Roofing, Cladding, Rainwater Systems & Purlins

CONTACT US TODAY:

0800 800 947

www.steelandtube.co.nz

STRONGER IN EVERYWAY



PRODUCT INSTALLATION GUIDE PANEL SYSTEM



S&T181

SEP 2016

PRODUCT INSTALLATION GUIDE > PANEL SYSTEM



RURAL & FENCING

PANEL SYSTEM INSTALLATION GUIDE

STEP 1

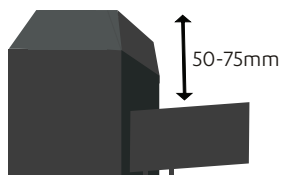
Mark out the proposed fence line with a string line and pegs (fig A). Determine the location of the gateway first and move out towards the end of the fence. Use self made measuring rods to mark the location of all gate and fence posts. The location of the end or corner posts must be in 75mm increments if less than a full panel.

MEASURING RODS

"Centreline of Posts"	= 2460mm
"Length of Panel"	= 2410mm
"Centreline of Pool Gateposts"	= 1025mm
"Pool Gate Opening"	= 975mm

STEP 2

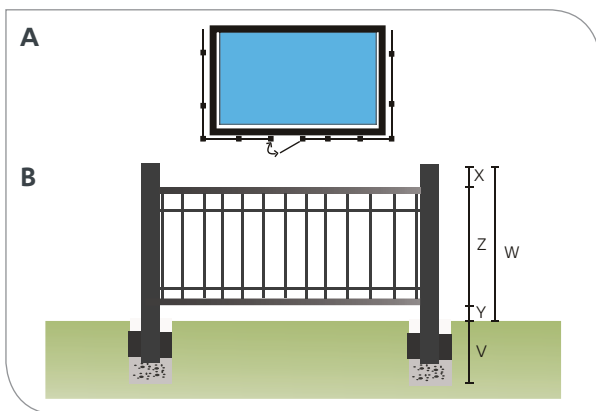
Establish how proud of the fence you want your post top (30mm min.). A height of 50 to 75mm gives a pleasing effect.



STEP 3

Establish the clearance from the finished ground level to the bottom of the panel. 75mm is recommended to allow clearance for sweeping or weeding etc.

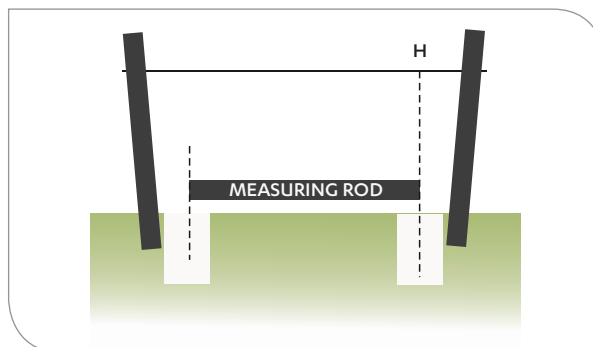
Then add together the top clearance plus bottom clearance plus panel/gate height (fig B).



$X+Y+Z = \text{Total Height } W$
 Height to Post = 'H'
 less $W = \text{'V' Depth}$

STEP 4

Establish a string line at a known height e.g. post top = 1410mm above finished ground level. This allows you to measure hole depths (2000mm) and finished post heights (0mm) or top of panel/gate height (75mm) etc.



STEP 5

Dig the gate post holes where previously marked, approximately 600mm deep and 200mm in diameter.

STEP 6

Prior to installing the gate posts, fix the hinges and latch to the appropriate posts (remembering that the gate must open away from the enclosure, refer to fig A).

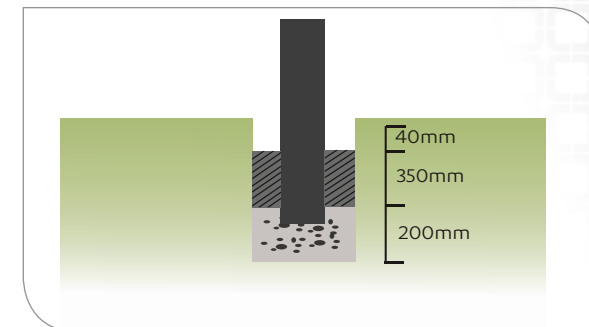
NOTE:

Pool Fence: Fittings for the latch and the hinges should be on the side away from the pool. Assemble pool latch fittings and hinges as per instructions on packaging.

STEP 7

Install the gate post in the pre-dug holes. Use the string line, for line and height, a builders level for vertical in both planes and your "gate opening measuring rod" for spacing.

Locate the posts with about 200mm of packed dry mix concrete around their base.



Check lines and dimensions carefully before pouring wet concrete into the top 350mm of the holes. Especially check, with the "gate opening rod", that the gate opening is the same at the top of the post as at ground level.

Finish concrete 40mm below ground level to allow for final finishing work such as paving or lawn. Leave concrete 24 hours to cure.

STEP 8

Continue out from the gate posts installing fence posts using the same system for hole depth but using the "centreline of posts measuring rod" for hole spacings.

Locate the posts with packed dry concrete mix at their bases and ensure line and level from the string line, vertical alignment with a builders level and spacing with the "length of Panel measuring rod".

NOTE:

It is important to ensure accurate spacing of posts. A tolerance of zero to +/-5mm is acceptable. Spacings less than the length of "Panel measuring rod" will prevent panel installation.

When satisfied with post positions, fill holes with wet concrete to 40mm below finished ground level. Wipe off excess concrete from posts with a wet rag. Allow 24 hours for concrete to cure.

STEP 9

To fit your gate to the installed posts, measure down from the string line or post top to establish the level of the gate top

(Continued on reverse)