

# M10 SERVICE HANGER

## INSTALLATION SYSTEM GUIDE



**An efficient installation system to install service hangers in ComFlor profiles designed for ComFlor® 60, 80 and SR profiles**

### Application

For the installation of service hangers in ComFlor® 60, ComFlor® 80 and ComFlor® SR profiles.

### Testing

BRANZ ST 11332-TO[2020]

To comply with the tested installed method, the finished install must contain:

- M10 Wedge Nut appropriate to the ComFlor profile
- M10 40 x 3.0mm Fender Washer (P0050925)
- M10 Lock Nut (P0008784)

### Advantages

Efficient Installation – Use of the M10 Wedge Nut eliminates the need for any drilling, reducing installation time.

Easy Onsite Adjustment – Allowing the contractor to retrofit services, without the requirement for further penetrations.

### Technical Data

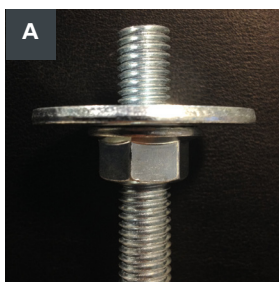
Material: 1214/1215 Bright Mild Steel

Finish: Rumble Finish & Zinc Plated

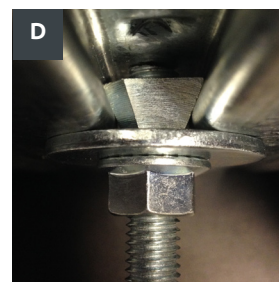
M10 Wedge Nut: P0008785 ComFlor 60 Wedge Nut  
P0008782 ComFlor 80 Wedge Nut  
P0005399 ComFlor SR Wedge Nut

### Installation

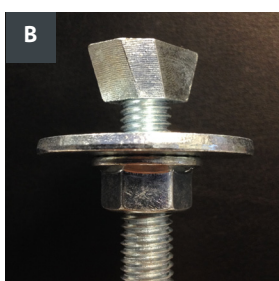
**1**  
Thread the M10 Wedge Nut and M10 40 x 3mm Fender Washer on to the fixing end of the threaded rod assembly as shown in Fig A.



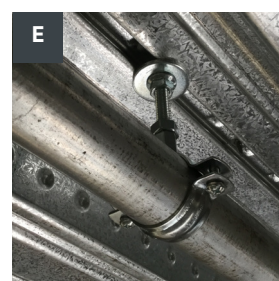
**4**  
Begin threading the rod through the M10 Wedge Nut until the rod meets the top of the dove tail forcing the M10 Wedge Nut to twist and lock into position.



**2**  
Thread the M10 Wedge Nut onto the fixing end of the threaded rod until the rod meets the reverse side of the M10 Wedge Nut as shown in Fig B.



**5**  
Once the M10 Wedge Nut is firmly secured, thread the M10 Flange lock nut and M10 40 x 3mm Fender Washer towards the underside of the ComFlor® profile to lock the fixing in place as shown in Fig D.



**3**  
Insert the M10 Wedge Nut into the dovetail of the ComFlor® profile as shown in Fig C.



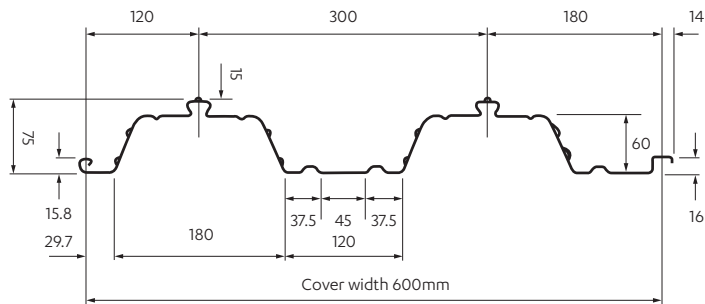
**6**  
Installation is complete, Fig E.

### Note:

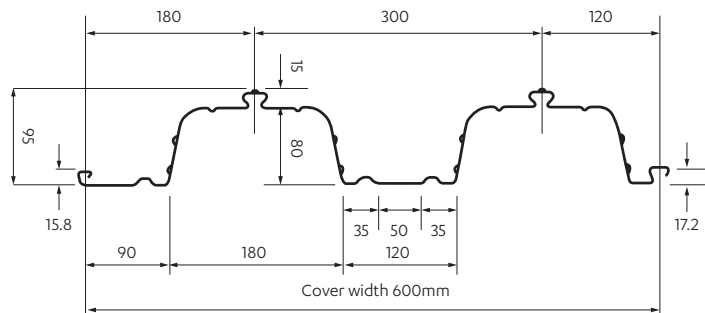
The finished install must contain a M10 x 40 mm x 3.0mm Fender Washer (P0050925) and M10 Lock Nut (P0008784) in order to comply with the tested installed method.

Steel & Tube M10 Wedge Nuts are designed to fit the Dovetail on ComFlor 60, 80 and SR profiles to make the attachment of hanging services fast and efficient.

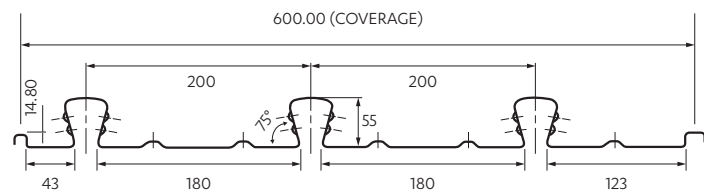
### ComFlor 60 Profile and Wedge Nut



### ComFlor 80 Profile and Wedge Nut



### ComFlor SR Profile and Wedge Nut



CALL US TODAY 0800 266 356 (COMFLOR)

**Technical Queries:** [comflortechnical@steelandtube.co.nz](mailto:comflortechnical@steelandtube.co.nz)

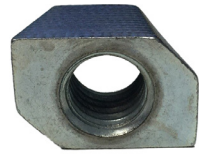
**Sales Queries:** [comflorsales@steelandtube.co.nz](mailto:comflorsales@steelandtube.co.nz)

**ComFlor Wedge Nut sales enquires:** [sales@steelandtube.co.nz](mailto:sales@steelandtube.co.nz)

[www.comflor.co.nz](http://www.comflor.co.nz)

**disclaimer :**

Any advice given in this document is given in good faith, however Steel & Tube makes no representations or warranties about the information or design advice provided (whether contained in a document, email or other attachments) including (but not limited to) whether the information, and any materials referred to, are fit for purpose. The user is responsible for ensuring that the information, and any materials referred to, are fit for the purpose for which they are intended to be used. Except as required by law, Steel & Tube is not liable for any cost, loss, claim or expense incurred by any person as a result of any person using or relying on the information in this document



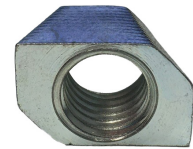
**M10 60 WEDGE NUT 21 MM X 14 MM**

**COMFLOR 60 WEDGE NUT SYSTEM**

- P0008785 ComFlor 60 Wedge Nut
- P0050925 M10 40mm x 3.0mm Fender Washer
- P0008784 M10 Lock Nut

**Max ULS gravity Loads 3.3 kN**

**BRANZ ST11332 TO[2020]**



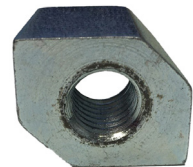
**M10 80 WEDGE NUT 18 MM X 12 MM**

**COMFLOR 80 WEDGE NUT SYSTEM**

- P0008782 ComFlor 80 Wedge Nut
- P0050925 M10 40mm x 3.0mm Fender Washer
- P0008784 M10 Lock Nut

**Max ULS gravity Loads 4.7 kN**

**BRANZ ST11332 TO[2020]**



**M10 SR WEDGE NUT 22 MM X 18 MM**

**COMFLOR SR WEDGE NUT SYSTEM**

- P0005399 ComFlor SR Wedge Nut
- P0050925 M10 40mm x 3.0mm Fender Washer
- P0008784 M10 Lock Nut

**Max ULS gravity Loads 3.5 kN**

**BRANZ ST11332 TO[2020]**